
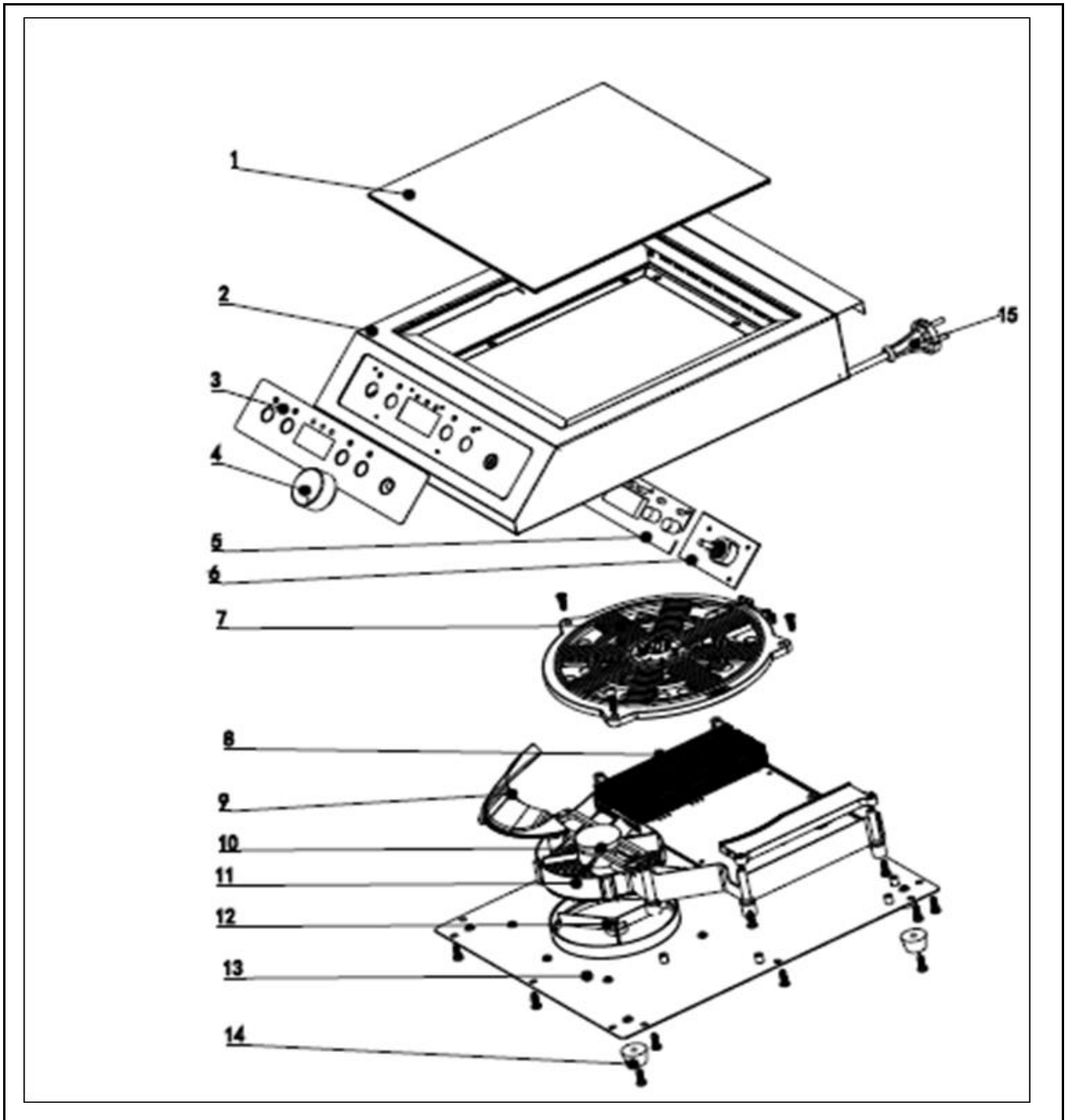



Drawing

 <b style="font-size: 2em; font-weight: bold; color: red;">HENDI <small>FOOD SERVICE EQUIPMENT</small> Hendi B.V. Steenoven 21 3911 TX Rhenen The Netherlands	Batch #	Appliance part#
	661770 and up	239704
	Description	
	Induction cooker model 3000	

Date	14-09-2017	Revision #	Revision version
Revision	First bill of materials (BOM)		



Bill of materials (BOM)

 <p>HENDI FOOD SERVICE EQUIPMENT</p> <p>Hendi B.V. Steenoven 21 3911 TX Rhenen The Netherlands</p>	Batch #	Appliance part#
	661770 and up	239704
	Description	
	Induction cooker model 3000	


Date	14-09-2017	Revision #	Revision version
Revision	First bill of materials (BOM)		

Item	Description	Part#	Quantity	Remark	Picture
1	Glass plate	n/a	1		
2	Upper housing complete	n/a	1		
3	Display sticker	941942	1		
4	Knob	941959	1		
5	Display PCB	941466	1		
6	Potentiometer	nss	1		
7	Induction coil	941973	1		
7a	Sensor induction coil	942000	1		
8	Main pcb	941980	1		
9	Fan cover	n/a	1		
10	Fan	919446	1		
11	Bracket	n/a	1		
12	Grid	n/a	1		
13	Bottom cover	n/a	1		
14	Feet	941997	4		
15	Power chord	n/a	1		

n/a -> not available

nss -> not sold separately

Circuit diagram

 HENDI FOOD SERVICE EQUIPMENT Hendi B.V. Steenoven 21 3911 TX Rhenen The Netherlands	Batch #	Appliance part#
	661770 and up	239704
	Description	
	Induction cooker model 3000	

Date	14-09-2017	Revision #	Revision version
Revision	First bill of materials (BOM)		

Not available